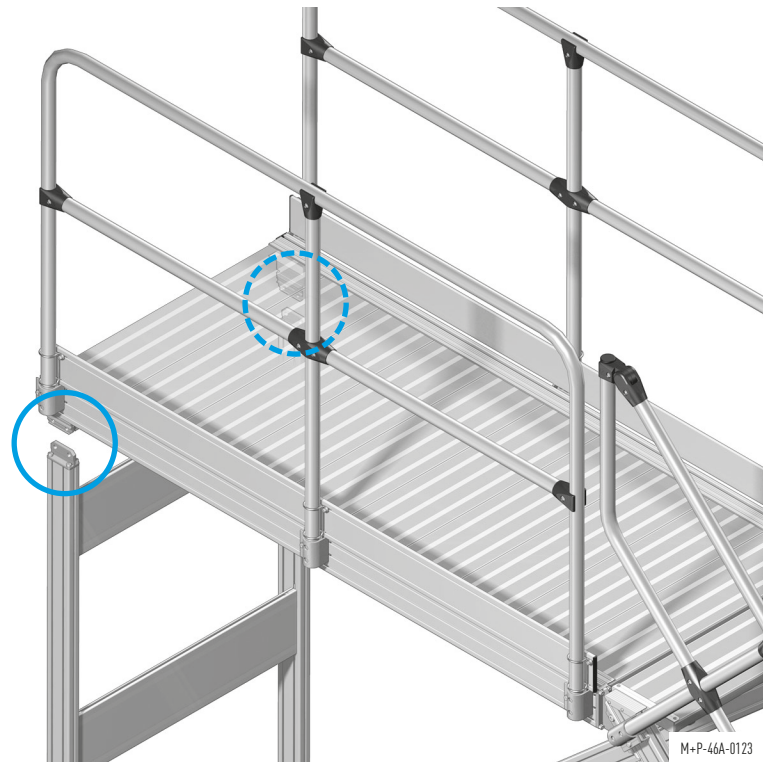
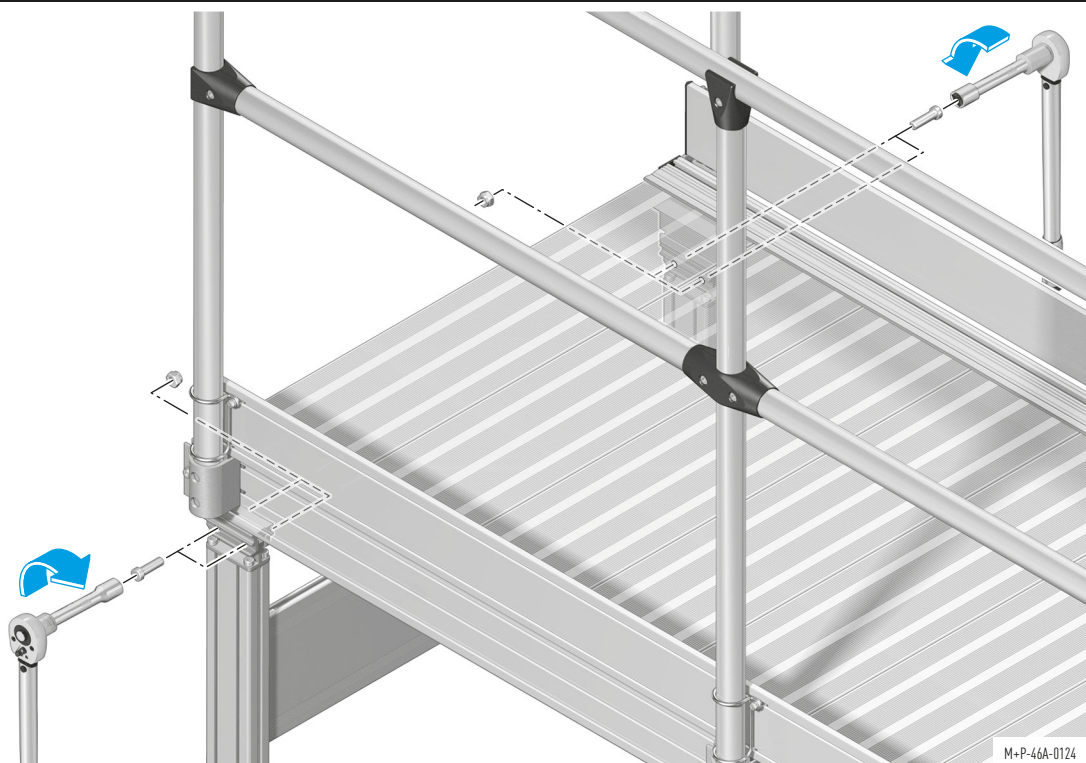


1.4

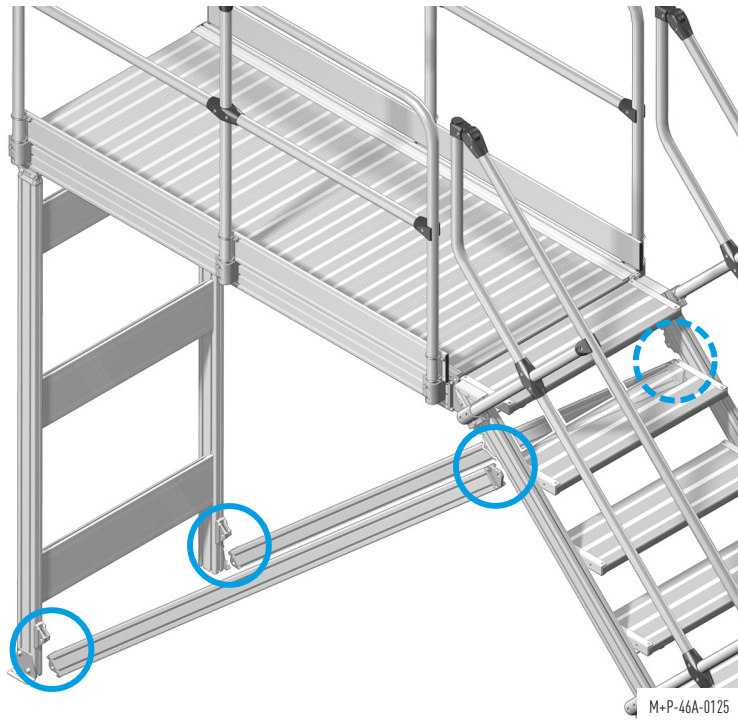


1.5



M12; 30 Nm / 22 lb.ft

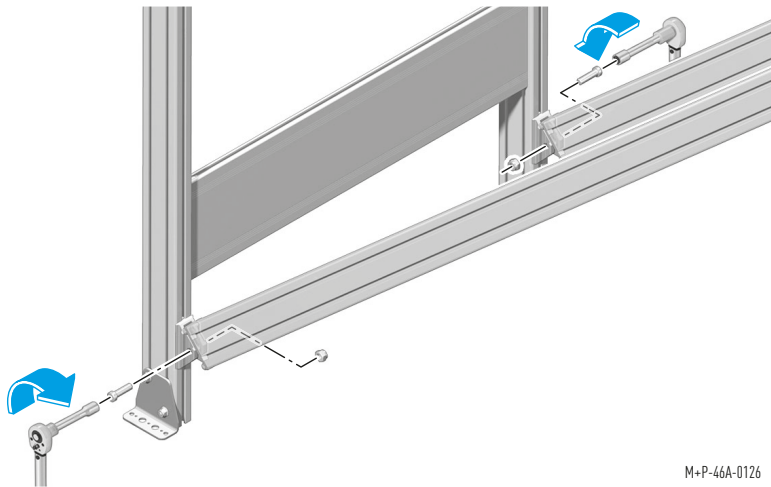
1.6



1.7



M12; 30 Nm / 22 lb.ft



1.8



M12; 30 Nm / 22 lb.ft

